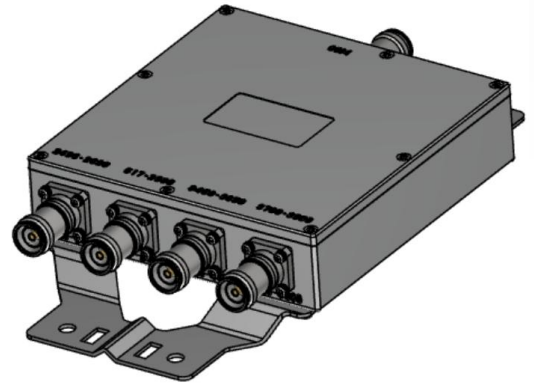


Outdoor-rated quadplexer designed for multi-band combining of 600/700/850/PCS/AWS/WCS, BRS, 3.45 DoD/CBRS and C-Band signals. Ideal for combining DAS remote outputs grouped into four separate units.

- Quadplexer Combiner for 617-2360, 2496-2690, 3450-3650 and 3700-3980MHz
- Ideal for combining DAS remote outputs
- Wall or Rack Mountable
- Low Insertion/High Port Isolation
- Outdoor IP67 & Salt Fog Rated
- Low PIM Rated

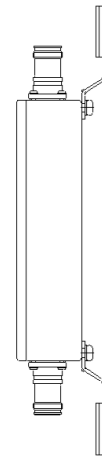
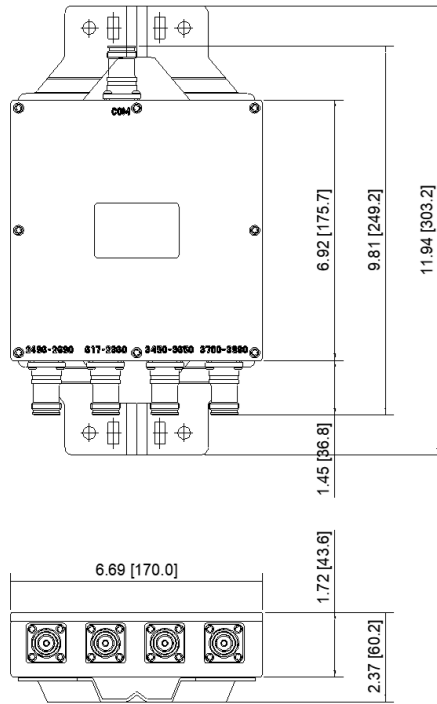


Parameter		Specifications			
Model	Wall Mount	SQXS-LWBD			
	Rack Mount	SQXS-LWBD-R			
Freq. Range [MHz]		617-2360	2496-2690	3450-3650	3700-3980
Insertion Loss [dB]		0.4	0.5	0.5	0.4
Pass Band Ripple [dB]		0.4	0.3	0.3	0.3
Return Loss [dB]		18			
Port Isolation [dB]		50			
Avg. Power Rating [W]		300	50	50	50
PIM [dBc]		-156 @ UL Bands			
IP Rating		IP67, 30-day Salt Fog IAW ASTM-B117			
Operating Temp. [°F]		-40 to +185			
RF Connector		4.3-10 Female			
Size (W x H x D)		Wall: 6.69" x 6.92" x 1.72", Rack: 19" x 1.73" x 7.04"			
Weight [lb]		Wall: 6.5 / Rack: 7.2			

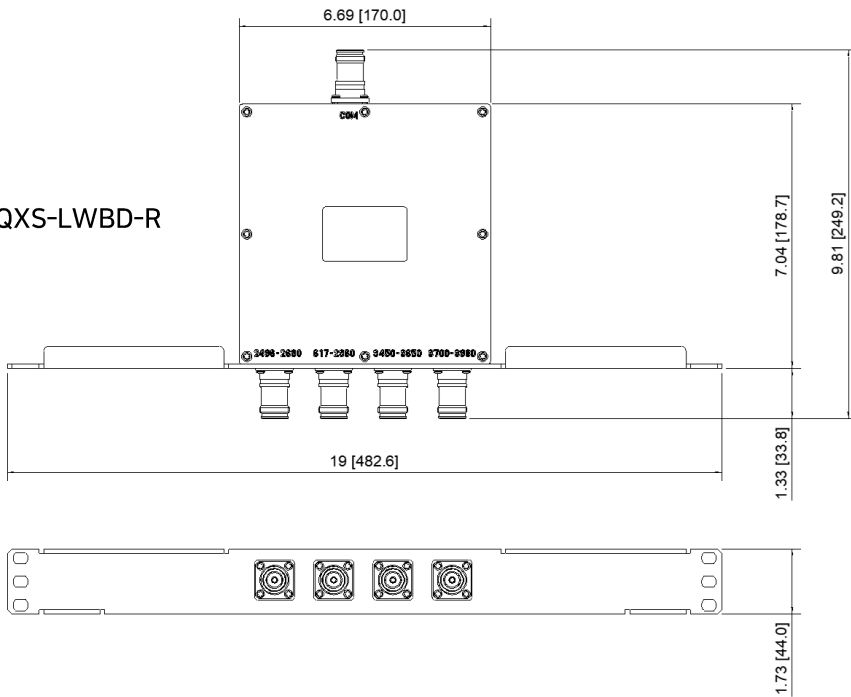
* Specifications are subject to change without prior notification.

Mechanical Drawing

SQXS-LWBD



SQXS-LWBD-R



Inch [mm]